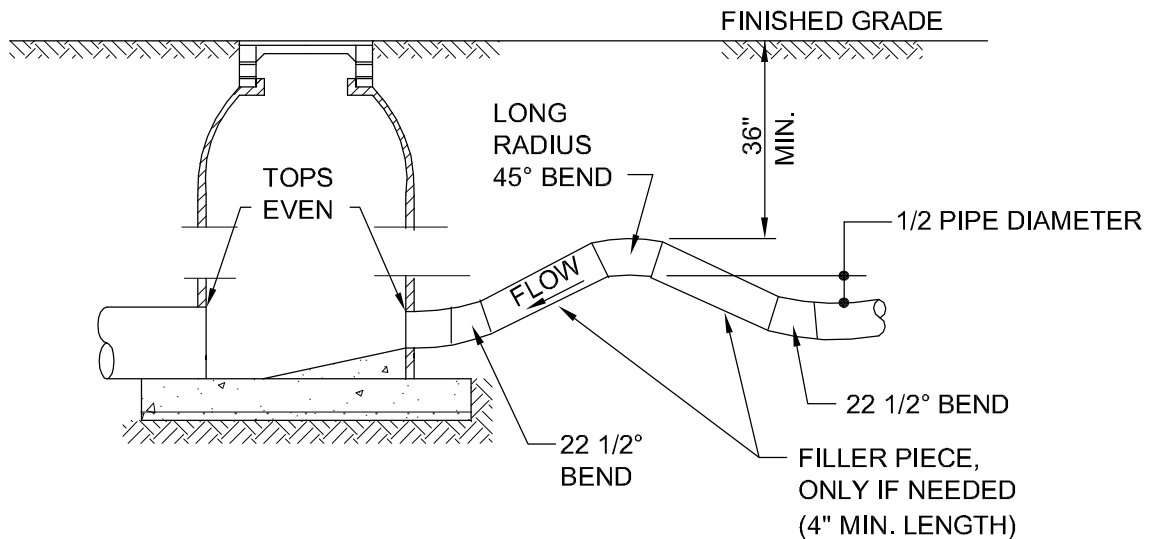


FOR DISCHARGE INTO SHALLOW MANHOLE



FOR DISCHARGE INTO STANDARD MANHOLE

NOTE:

ALL JOINTS MUST BE PROTECTED BY RETAINER GLANDS OR THREADED RODS (GALV.). ALL RESTRAINTS SHALL BE IN ACCORDANCE TO LOCALITY REQUIREMENTS.

FORCE MAIN SAXOPHONE

NOT TO SCALE