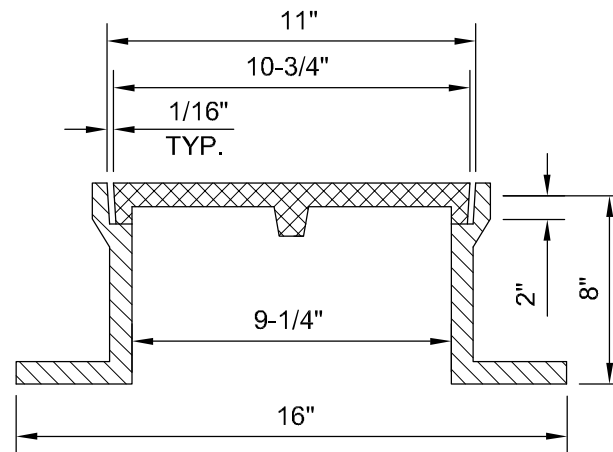


PLAN



SECTION A-A

NOTES:

1. CLEAN OUT FRAME & COVER HIGHWAY LOAD RATED FOR USE IN DRIVEWAYS, PARKING LOTS, ETC.
2. CLEAN OUT FRAME & COVER TO BE SUPPLIED BY CAPITAL FOUNDRY OF VIRGINIA, INC. OR APPROVED EQUAL.
3. ALL GRAY IRON CASTINGS SHALL CONFORM TO LATEST EDITION OF ASTM A-48, CLASS 30 AND SHALL BE OF UNIFORM QUALITY.
4. ALL CASTING DIMENSIONS SHALL HAVE A TOLERANCE OF 1/8"±.
5. ALL CASTINGS SHALL BE CLEANED BY SHOT BLASTING AND HAND CHIPPING UTILIZING STANDARD INDUSTRY PRACTICES PRIOR TO SHOP APPLICATION OF ASPHALTIC COATING, BY DIPPING.

SANITARY SERVICE LATERAL CLEAN OUT FRAME AND COVER FOR HEAVY LOADS

NOT TO SCALE

REFERENCE
200,802

CATEGORY
SANITARY SYSTEMS

DATE
12/10

SHEET No.
1 OF 1

DETAIL No.
SS_12