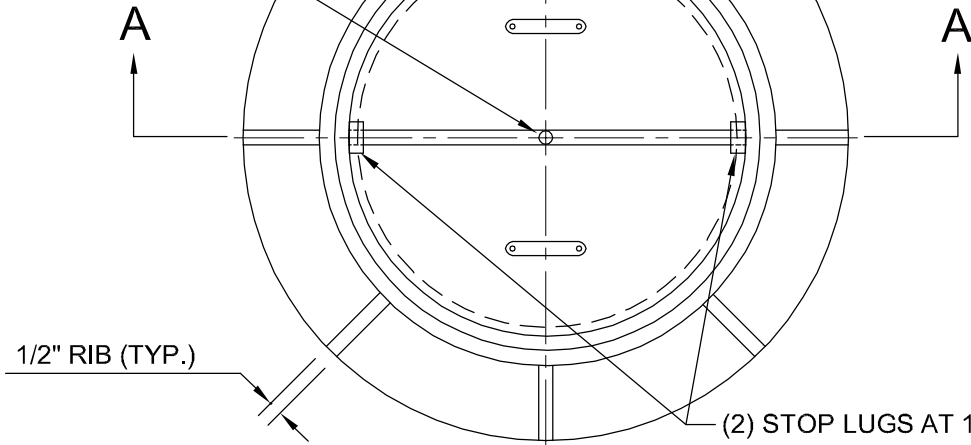


LOCK BAR 1" X 1" STEEL,
23-1/2" LONG W/ BRASS
BOLT 5/8" X 4" LONG,
FULL THREAD

DUST COVER

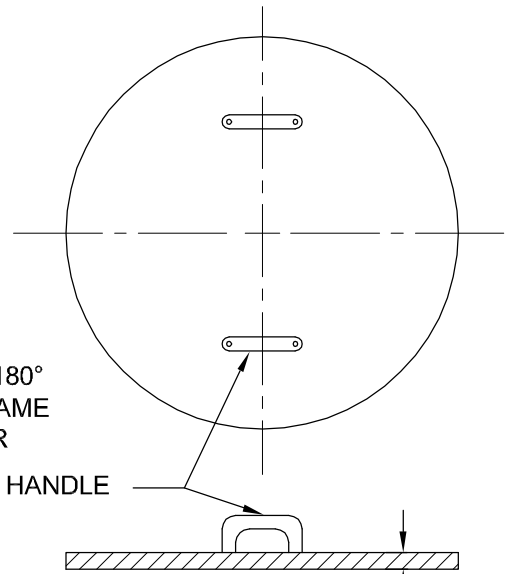


1/2" RIB (TYP.)

(2) STOP LUGS AT 180°
FURNISHED ON FRAME
TO HOLD LOCK BAR

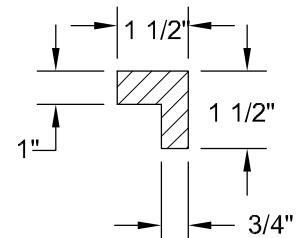
PLAN: CASTING

1-1/4" ROUND HANDLE



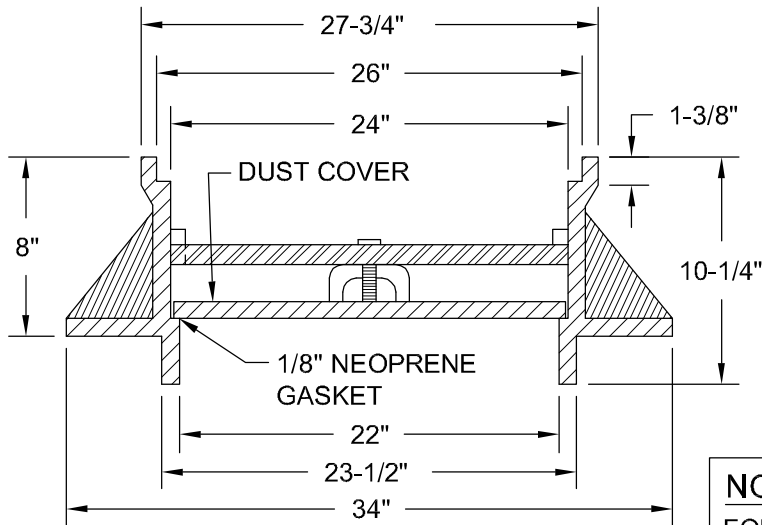
5/8"

DUST COVER



**STOP LUG
SIDE VIEW**

**NOTE: USE SANITARY SEWER MANHOLE
COVER (24") FOR THIS APPLICATION**



SECTION A-A

NOTE:

FOR NON-WATERTIGHT APPLICATIONS
DELETE THE LOCK BAR AND NEOPRENE
GASKET

NOTES:

1. MANHOLE CASTING TO BE SUPPLIED BY CAPITAL FOUNDRY OF VIRGINIA, INC. OR APPROVED EQUAL.
2. ALL GRAY IRON CASTINGS SHALL CONFORM TO LATEST EDITION OF ASTM A-48, CLASS 30 AND SHALL BE OF UNIFORM QUALITY.
3. ALL CASTING DIMENSIONS SHALL HAVE A TOLERANCE OF 1/8"±.
4. ALL CASTINGS SHALL BE CLEANED BY SHOT BLASTING AND HAND CHIPPING UTILIZING STANDARD INDUSTRY PRACTICES PRIOR TO SHOP APPLICATION OF ASPHALTIC COATING, BY DIPPING.

**SANITARY SEWER
MANHOLE CASTING (24")**

NOT TO SCALE

REFERENCE
200,802

CATEGORY
SANITARY SYSTEMS

DATE
12/10

SHEET No.
1 OF 1

DETAIL No.
SS_09