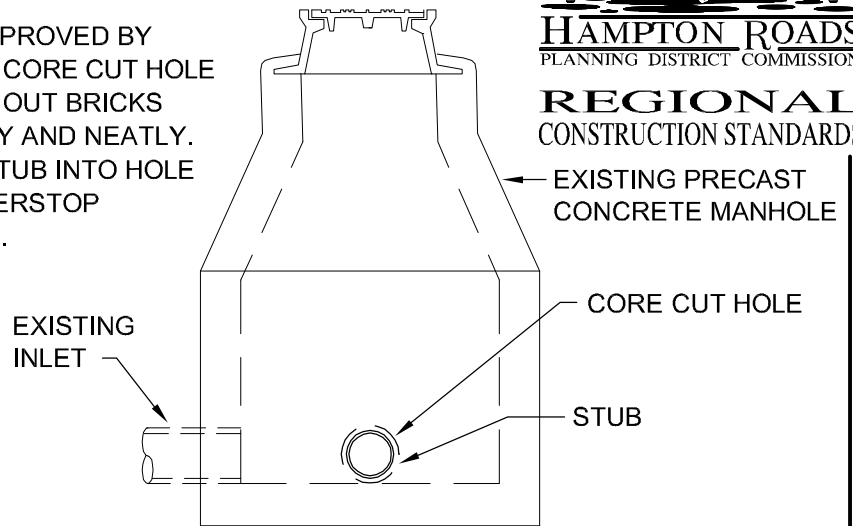
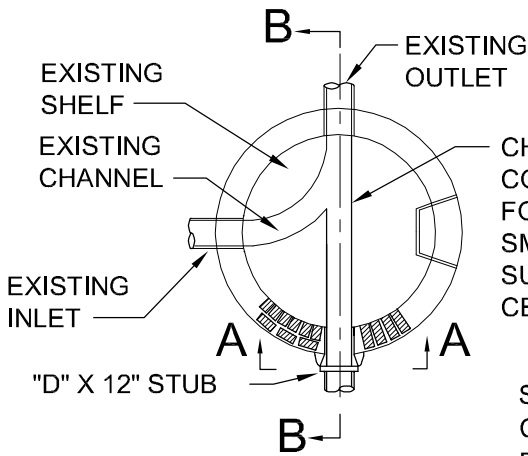


**SECTION A-A**

WHERE APPROVED BY LOCALITY, CORE CUT HOLE OR BREAK OUT BRICKS CAREFULLY AND NEATLY. FASTEN STUB INTO HOLE WITH WATERSTOP GROUTING.



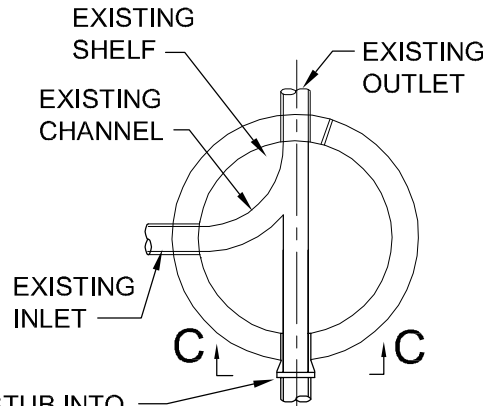
**SECTION C-C**



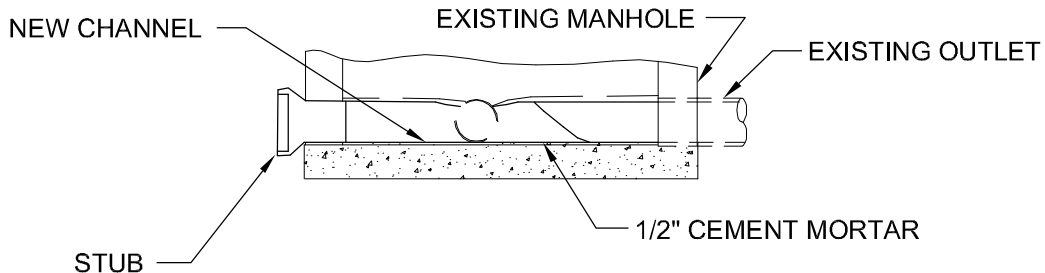
**BASE PLAN OF  
BRICK MANHOLE**

CHISEL OUT EXISTING CONCRETE SHELF TO FORM NEW CHANNEL. SMOOTH CHANNEL SURFACE WITH 1/2" CEMENT MORTAR

SECURELY FASTEN STUB INTO CORED HOLE WITH FLEXIBLE BOOT CONNECTION PER SPECIFICATION SECTION 200.



**BASE PLAN OF  
PRE-CAST MANHOLE**



**SECTION B-B**

# CONNECTION INTO EXISTING MANHOLES

NOT TO SCALE