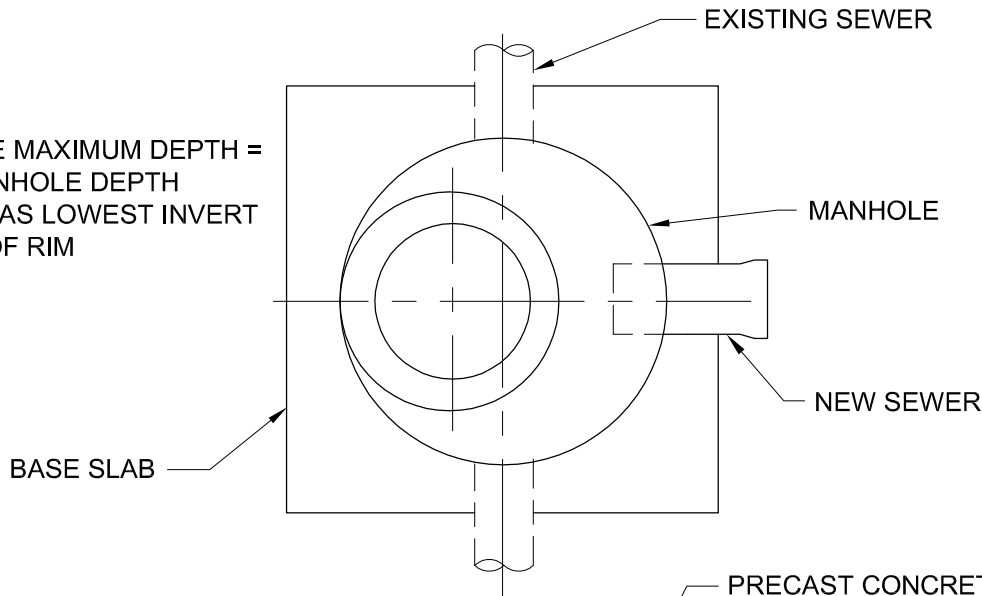


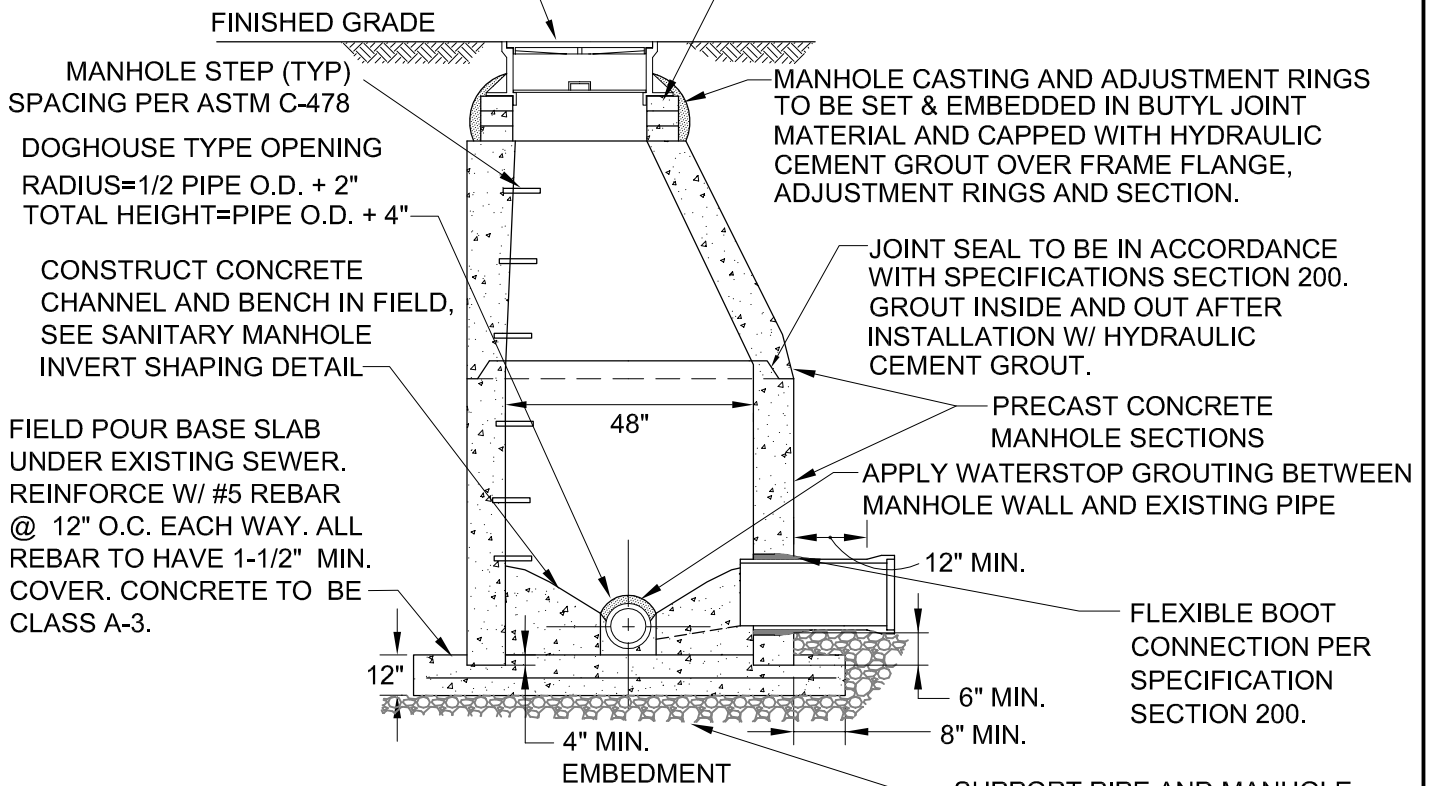
**NOTE:**  
MANHOLE MAXIMUM DEPTH =  
25'-0" MANHOLE DEPTH  
DEFINED AS LOWEST INVERT  
TO TOP OF RIM



**PLAN**

SEE SANITARY SEWER MANHOLE  
CASTING AND COVER (24") DETAILS

PRECAST CONCRETE  
ADJUSTMENT RING (TYP)  
RINGS TO BE COATED AND SEALED  
SMOOTH ON ALL INSIDE SURFACES,  
3/8" THICK (MIN.) WITH HYDRAULIC  
CEMENT HIGH STRENGTH GROUT.



# SANITARY SEWER STRADDLE MANHOLE

NOT TO SCALE