



# *REGIONAL CONSTRUCTION STANDARDS*

## **FIFTH EDITION**

### **Publication Update #7**

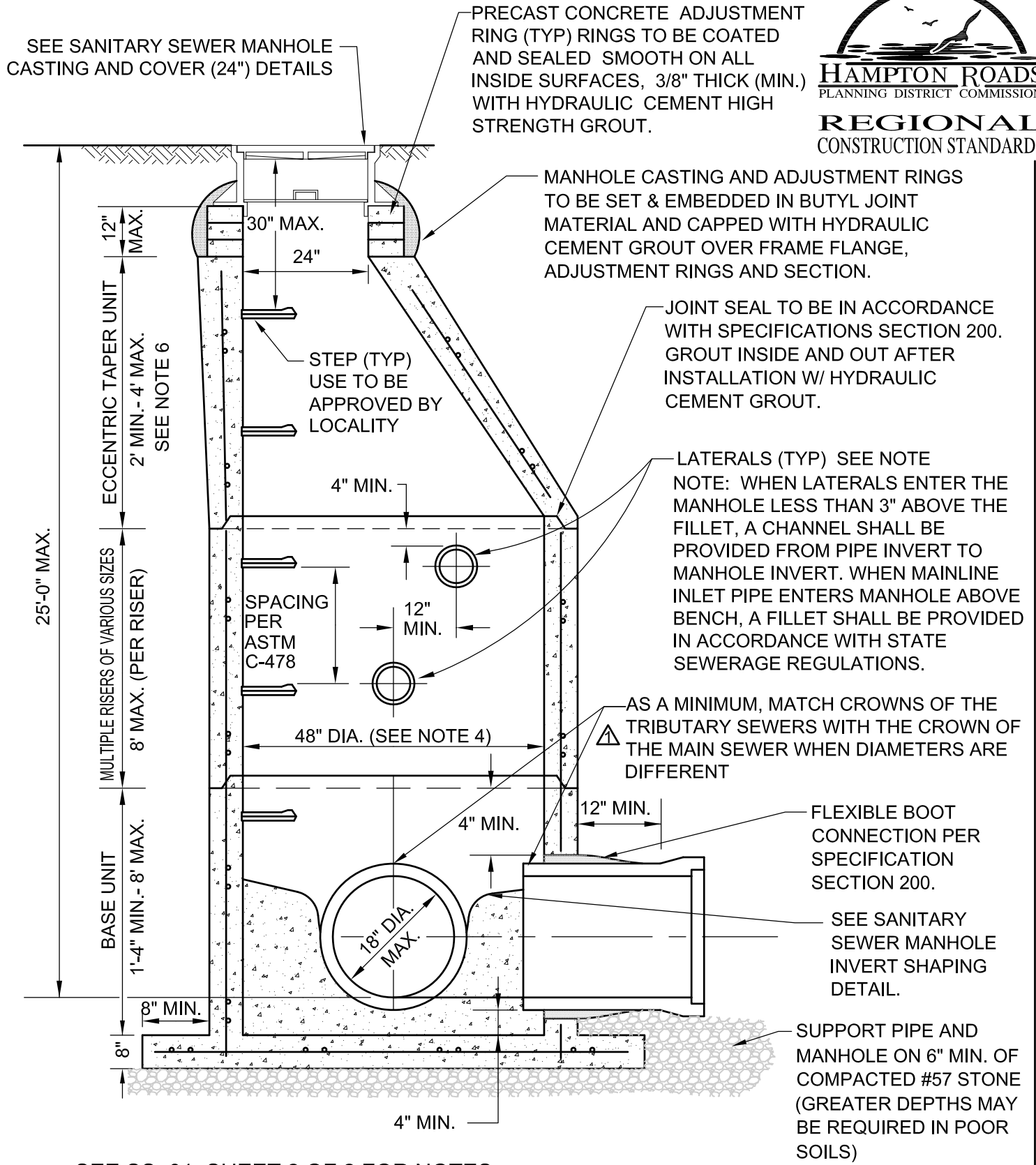
Full Committee Approved Proposed Revision #12  
as Publication Update #7.

Replace Standard Details SS\_01, SS\_03, SS\_04 and WS\_03

April 24, 2014

© Copyright 2008





SEE SS\_01, SHEET 2 OF 2 FOR NOTES.

## STANDARD PRECAST CONCRETE MANHOLE W/ EXTENDED MONOLITHIC BASE

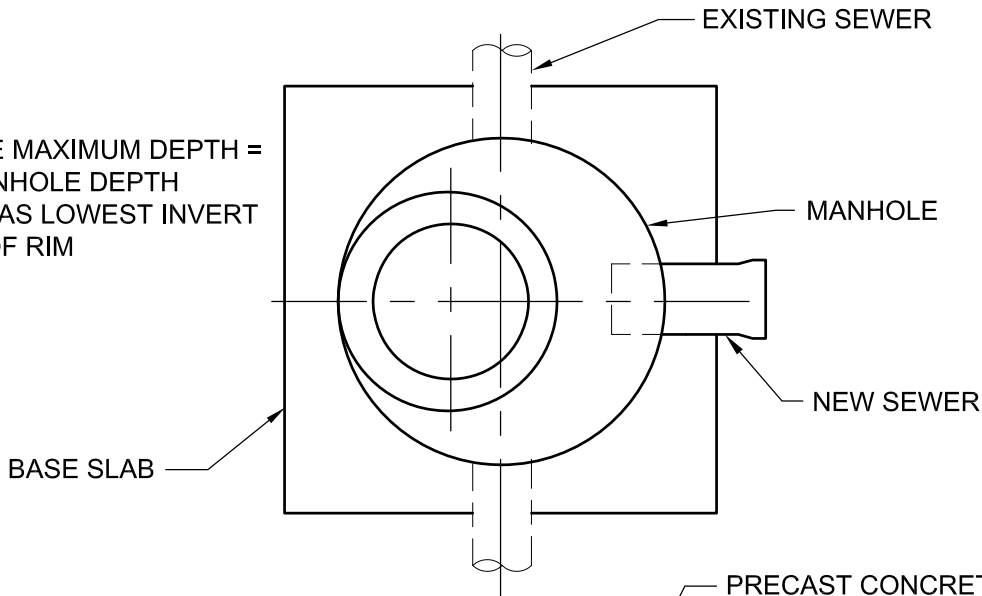
NOT TO SCALE

△ REVISED 10/24/13

REFERENCE	CATEGORY	DATE	SHEET No.	DETAIL No.
200,802	SANITARY SYSTEMS	12/10	1 OF 2	SS_01

**NOTE:**

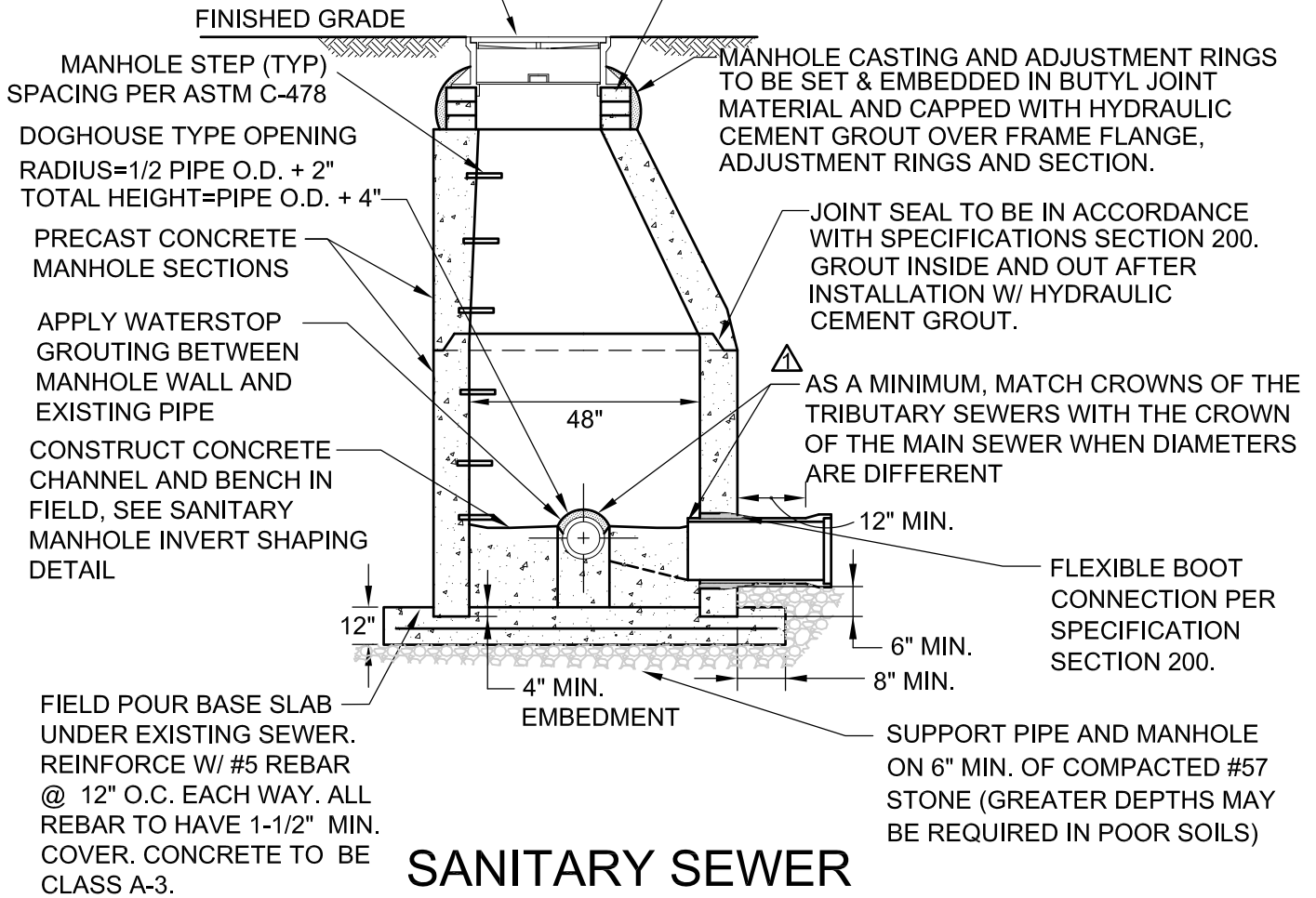
MANHOLE MAXIMUM DEPTH = 25'-0"  
MANHOLE DEPTH DEFINED AS LOWEST INVERT TO TOP OF RIM



**PLAN**

SEE SANITARY SEWER MANHOLE CASTING AND COVER (24") DETAILS

PRECAST CONCRETE ADJUSTMENT RING (TYP)  
RINGS TO BE COATED AND SEALED SMOOTH ON ALL INSIDE SURFACES, 3/8" THICK (MIN.) WITH HYDRAULIC CEMENT HIGH STRENGTH GROUT.

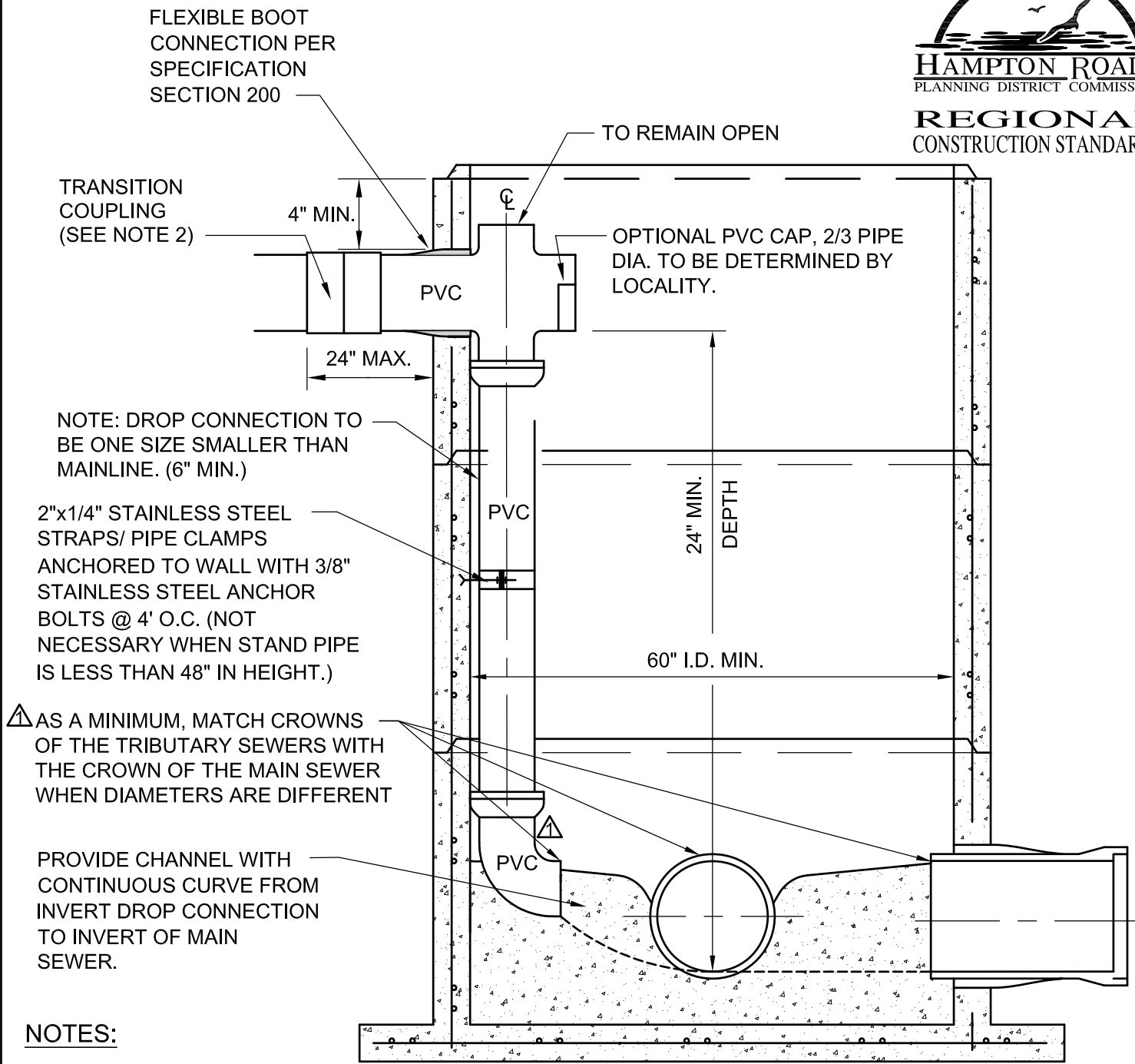


**SANITARY SEWER STRADDLE MANHOLE**

NOT TO SCALE

△ REVISED 10/24/13

<p>REFERENCE 200,802</p>	<p>CATEGORY SANITARY SYSTEMS</p>	<p>DATE 12/10</p>	<p>SHEET No. 1 OF 2</p>	<p>DETAIL No. SS_03</p>
------------------------------	--------------------------------------	-----------------------	-----------------------------	-----------------------------



NOTE: DROP CONNECTION TO BE ONE SIZE SMALLER THAN MAINLINE. (6" MIN.)

2"x1/4" STAINLESS STEEL STRAPS/ PIPE CLAMPS ANCHORED TO WALL WITH 3/8" STAINLESS STEEL ANCHOR BOLTS @ 4' O.C. (NOT NECESSARY WHEN STAND PIPE IS LESS THAN 48" IN HEIGHT.)

△ AS A MINIMUM, MATCH CROWNS OF THE TRIBUTARY SEWERS WITH THE CROWN OF THE MAIN SEWER WHEN DIAMETERS ARE DIFFERENT

PROVIDE CHANNEL WITH CONTINUOUS CURVE FROM INVERT DROP CONNECTION TO INVERT OF MAIN SEWER.

**NOTES:**

1. INTERIOR DROP TO BE USED IN NEW MANHOLES.
2. SOLVENT WELD JOINTS ON ALL INSIDE PIPING AND FITTINGS.
3. MAINLINE TO PVC DROP CONNECTION SHALL BE MADE WITH APPROVED COUPLING.
4. PLACEMENT OF DROP CONNECTION SHALL NOT CONFLICT WITH THE PLACEMENT OF THE MANHOLE STEPS.
5. BOTTOM 90 DEGREE BEND TO BE AT 45 DEGREES WITH RESPECT TO THE DOWNSTREAM FLOW.
6. PRECAST CONCRETE MANHOLE TO BE IN COMPLIANCE WITH ASTM C-478.

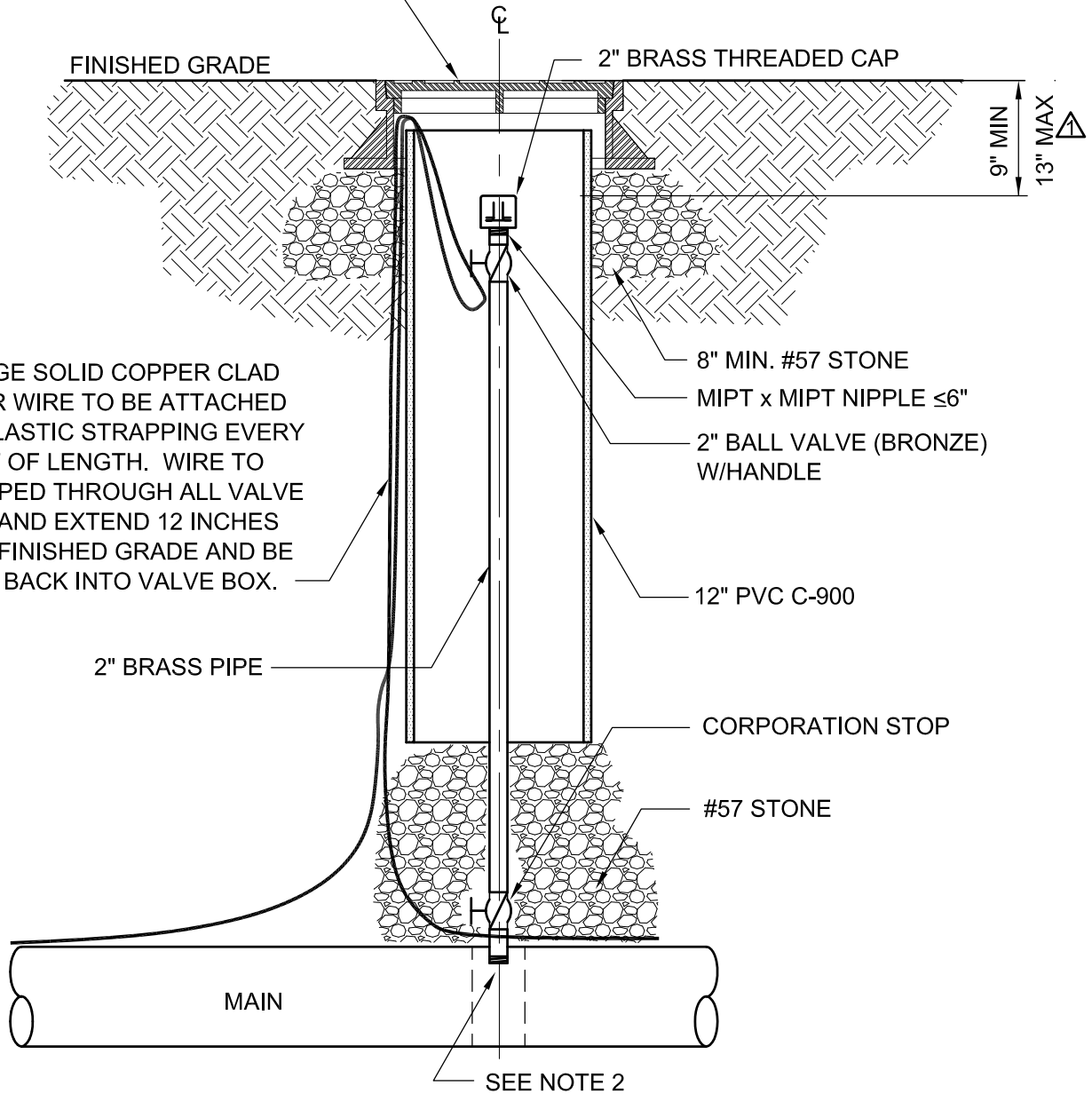
# SANITARY SEWER INTERIOR DROP MANHOLE

NOT TO SCALE

△ REVISED 10/24/13

REFERENCE 200,802	CATEGORY SANITARY SYSTEMS	DATE 12/10	SHEET No. 1 OF 1	DETAIL No. SS_04
----------------------	------------------------------	---------------	---------------------	---------------------

SEE STANDARD VALVE BOX  
FRAME AND COVER DETAIL



10 GAUGE SOLID COPPER CLAD  
TRACER WIRE TO BE ATTACHED  
WITH PLASTIC STRAPPING EVERY  
10 FEET OF LENGTH. WIRE TO  
BE LOOPED THROUGH ALL VALVE  
BOXES AND EXTEND 12 INCHES  
ABOVE FINISHED GRADE AND BE  
COILED BACK INTO VALVE BOX.

FITTING	INLET THREAD	OUTLET THREAD
CORPORATION STOP	AWWA/CC	FEMALE IRON PIPE
BALL VALVE	FEMALE IRON PIPE	FEMALE IRON PIPE
THREADED CAP	FEMALE IRON PIPE	N/A

## MANUAL AIR VENT ASSEMBLY

NOT TO SCALE

△ REVISED 10/24/13

REFERENCE  
200,801,803

CATEGORY  
WATER & SANITARY

DATE  
12/10

SHEET No.  
1 OF 2

DETAIL No.  
WS\_03