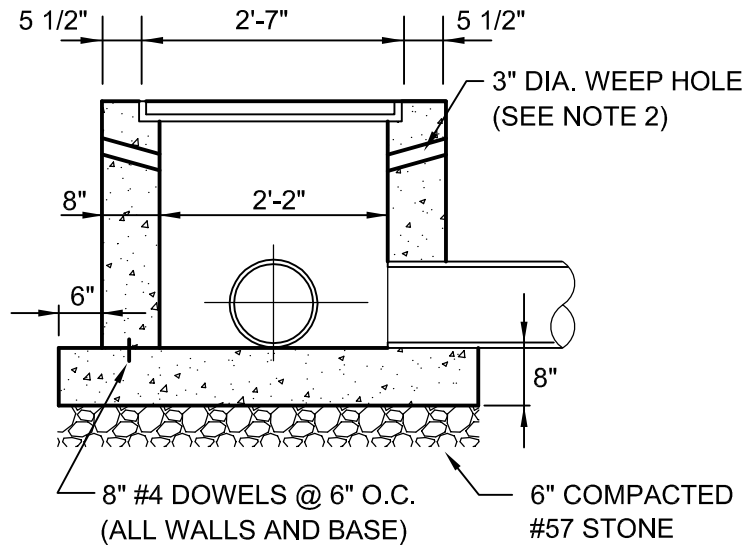


TOP VIEW



SECTION A-A

SEE DS\_05, SHEET 2 OF 2 FOR NOTES.

## YARD DRAIN

NOT TO SCALE

REFERENCE  
200,302

CATEGORY  
DRAINAGE STRUCTURES

DATE  
6/16

SHEET No.  
1 OF 2

DETAIL No.  
DS\_05

NOTES:

1. 8" CONCRETE WALLS WITH #4 BARS E.W. @ 6" O.C.
2. 3" WEEP HOLE WITH 12"x12" PLASTIC HARDWARE CLOTH, 1/4" MESH OR GALVANIZED STEEL WIRE, MINIMUM WIRE DIAMETER 0.03", NUMBER 4 MESH HARDWARE CLOTH ANCHORED FIRMLY TO OUTSIDE OF STRUCTURE.
3. STEPS THAT ARE ACCESSIBLE SHALL BE REQUIRED FOR DEPTHS OF FOUR FEET OR GREATER. SPECIFIC NEED, LOCATION AND SPECIFICATION OF STEPS TO BE DETERMINED BY LOCALITY.
4. ALL CAST IN PLACE CONCRETE TO BE CLASS A-3.
5. REFER TO THE VDOT ROAD AND BRIDGE STANDARDS, LATEST EDITION, - MANHOLE AND INLET SHAPING DETAIL.
6. PRECAST STRUCTURES MAY BE USED WHERE APPROVED BY THE LOCALITY.
7. FOR ALTERNATE PRECAST CONSTRUCTION, REFER TO SECTION 200 AND 302.

**YARD DRAIN**

NOT TO SCALE

REFERENCE 200,302	CATEGORY DRAINAGE STRUCTURES	DATE 6/16	SHEET No. 2 OF 2	DETAIL No. DS_05
----------------------	---------------------------------	--------------	---------------------	---------------------