

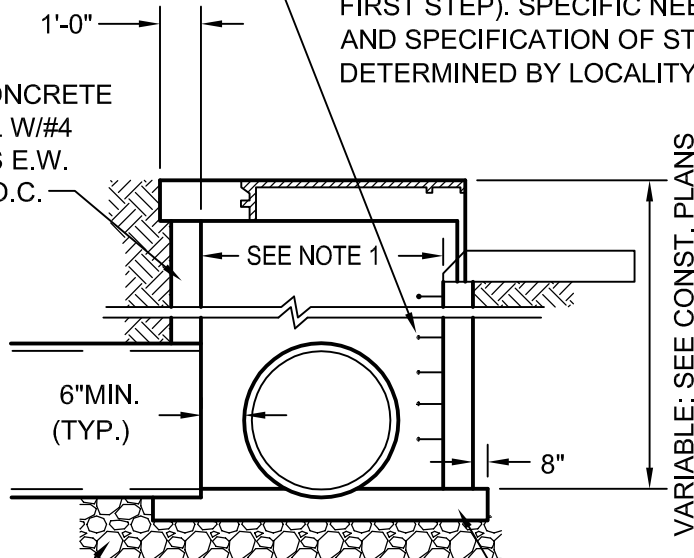
(2)-24" #4 DOWELS, PLACED 2" ABOVE GUTTER BOTTOM AND CENTERED AT JOINT (TYP. EACH SIDE)

4"x3/8" IRON PLATE (FOR MULTIPLE CATCH BASINS ONLY - PROVIDE MIN. 6" SPACE BETWEEN MULTIPLE CASTINGS)

PROVIDE STEPS @ 12" TO 16" VERT. SEPARATION FOR STRUCTURES GREATER THAN 4' DEPTH: (24" MAX. FROM RIM TO FIRST STEP). SPECIFIC NEED, LOCATION AND SPECIFICATION OF STEPS TO BE DETERMINED BY LOCALITY.

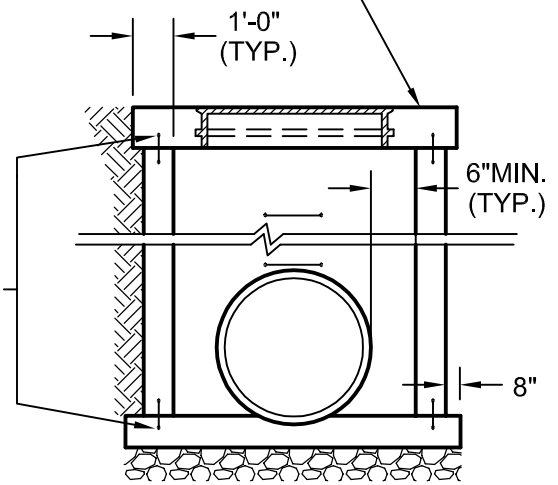
9" CLASS A-3 CONCRETE TOP W/#4 BAR E.W. @ 6" O.C. POUR MONOLITHICALLY W/ 10" CURB & GUTTER EACH SIDE OF BASIN

8" CONCRETE WALL W/#4 BARS E.W. @ 6 O.C.



**SECTION A-A**

8" #4 DOWELS @ 6" O.C. @ ALL WALLS CONNECTIONS



**SECTION B-B**

6" MIN. COMPACTED #57 STONE

8" CLASS A-3 CONCRETE BASE W/60-66 WIRE FABRIC (IN-PLACE CONSTRUCTION) OR #4 REBAR E.W. @ 12" O.C.

**NOTES:**

1. THE INTERIOR DIMENSIONS OF THE CATCH BASIN EQUAL 2'-6" FOR PIPE SIZES 12" THRU 18". WHERE THE PIPE SIZE IS 21" THRU 60", THE INTERIOR DIMENSIONS EQUAL 3'-0" OR THE O.D. OF THE PIPE, WHICHEVER IS GREATER, WHEN THE DEPTH DOES NOT EXCEED 4 FEET. IF THE DEPTH IS GREATER THAN 4 FEET, THE INTERIOR DIMENSIONS SHALL BE 4'-0" OR THE O.D. OF THE PIPE, WHICHEVER IS GREATER.
2. REFER TO THE VDOT ROAD AND BRIDGE STANDARDS, LATEST EDITION, - MANHOLE AND INLET SHAPING DETAIL.
3. FOR ALTERNATE PRECAST CONSTRUCTION, REFER TO SECTIONS 200 AND 302.

## CURB INLET/CATCH BASIN

NOT TO SCALE

REFERENCE 200,302	CATEGORY DRAINAGE STRUCTURES	DATE 6/16	SHEET No. 1 OF 1	DETAIL No. DS_04
----------------------	---------------------------------	--------------	---------------------	---------------------